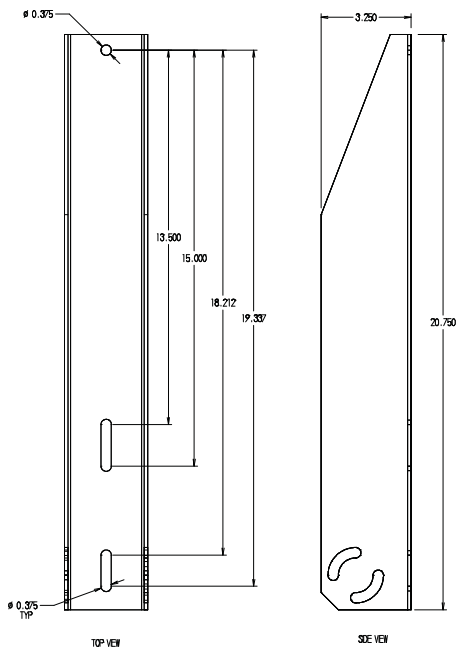




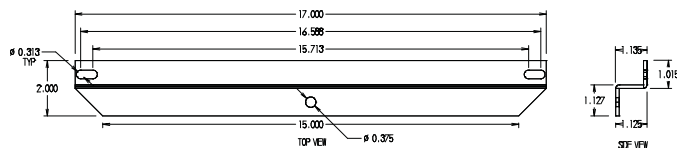
30LTHPM

Side of Pole Mount for the BSP30-12-LSS Solar Module

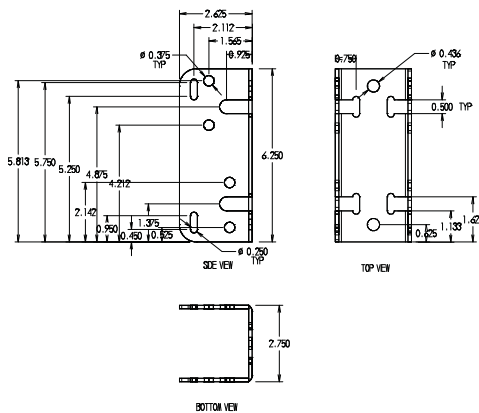
Kit to include:
 QTY 1 - HPM 18/30 ARM
 QTY 1 - HPM 18/30 BUCKET
 QTY 2 - LTHPM Z RAILS
 ALL MOUNTING HARDWARE



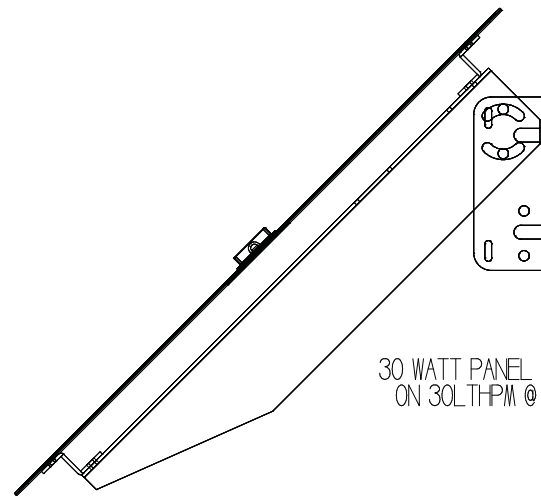
HPM 18/30 ARM



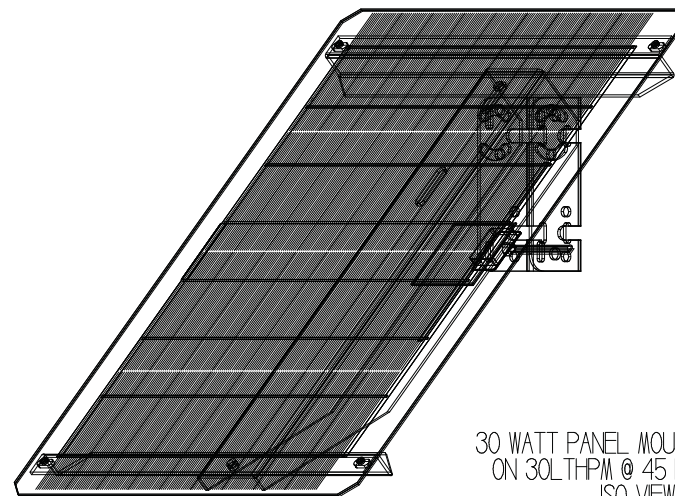
LTHPM- Z RAIL 2 PIECES INCLUDED



HPM 18/30 BUCKET



30 WATT PANEL MOUNTED ON 30LTHPM @ 45 DEG



30 WATT PANEL MOUNTED ON 30LTHPM @ 45 DEG ISO VIEW

All measurements in inches.